

A tradition of innovation since 1966

# HAYBUSTER®

## CMF-425

[ vertical mixer ]

HAYBUSTER®

TUB GRINDERS

GRAIN DRILLS

ROCK PICKERS

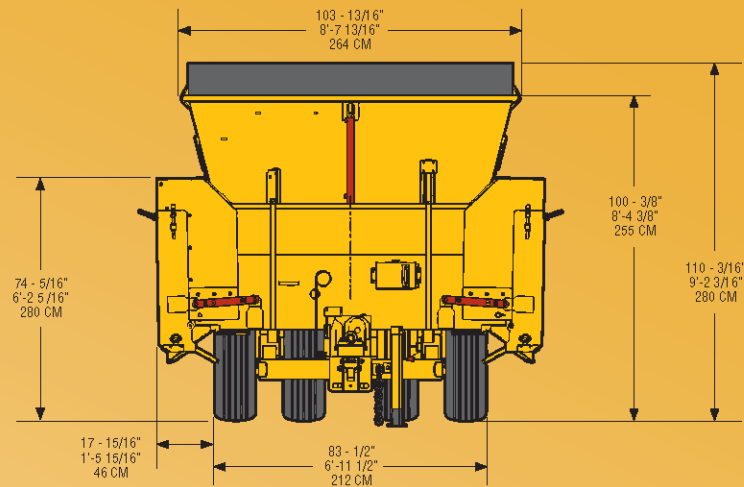
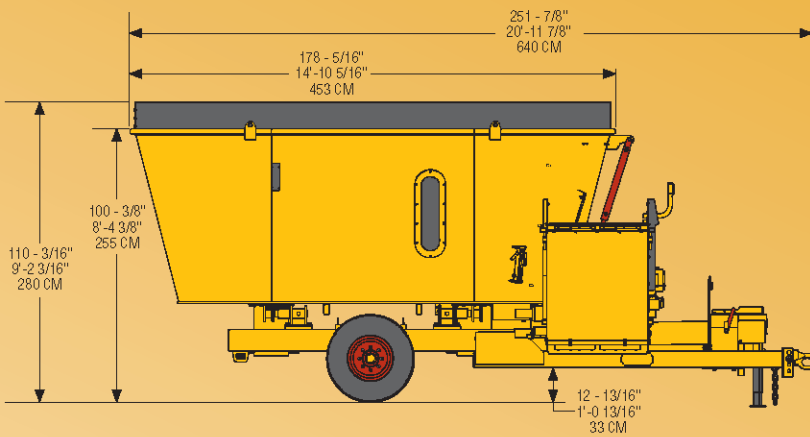


*Haybuster's CMF-425 Vertical mixer offers the same features that are on our larger unit.*

- 425 CU FT mixing capacity, 525 CU FT with 12 Inch extension. 13,500 pounds tare weight capacity.
- Twin 66 inch diameter, with 5/8 inch thick auger flighting for fast efficient cutting and mixing of hay and forage into a TMR.
- 14-1/4 inch thick self sharpening serrated cutting knives.
- Large 24 inch by 42 inch unloading door for fast-even unloading.
- HD gear boxes with two year warranty-protected by free motion automatic clutches.
- Optional two speed gear box for loaded startups, and heavy rations.
- 1 3/8 inch constant velocity, 21 spline PTO shaft.
- 36 inch wide hydraulic chain/slat unloading conveyor,
  - with optional hydraulic chain/slat discharge conveyor extension.
  - left, right or dual for unloading left or right.
  - 18 5/8 inch to 47 inch discharge height.
  - Short spout (L and or R) for unloading without the extension.
  - Magnets are available for both the conveyor extension and the short spout.
- 5/8 inch floor and 1/4 inch side walls, for long service life.
- Digi-Star 4 point scale with EZ 2000V monitor standard. Digi-Star options available. Powered by on board 12 volt battery.
- Two Observation windows.
- Four 12.5L-15 inch 12 ply flotation implement tires.
- 110 minimum tractor horsepower with 140 to 150 hp recommended.

# CMF-425

[ vertical mixer ]



## FEATURES

### CAPACITIES

Mixing Capacity w/o extensions	425cu ft (12.03cu.m)
Mixing Capacity w/12" extension	525cu ft (14.87cu m)
Gross weight capacity	28,500lbs (12,927.4kg)
Tare Weight-TMR	13,500lbs (6,123.5kg)

### AUGERS

Number	2
Diameter	66 in (162.56cm)
Flighting thickness	5/8 in (1.59cm)
Number/thickness-Knives	14-1/4 in (.635cm) self sharpening

### DOOR OPENING

24 in (60.96cm) X
42 in (106.68 cm)

### FLOOR THICKNESS

5/8 in (1.58 cm)
------------------

### SIDE WALL THICKNESS

1/4 in (0.635 cm)
-------------------

### DRIVE LINE AND GEAR BOXES

1 3/8 in. (3.49cm) constant velocity 1000 rpm PTO shaft
Or optional Two Speed Gear Box w/ 1 3/8 in (3.49cm)
CV PTO Shaft for loaded startups
Protection: Free motion automatic clutches (2)
2) HD gear boxes with 2 year warranty

### SCALE

Digi-Star 4 point scale with EZ 2000 monitor
--

### OBSERVATION WINDOWS

2
---

### UNLOADING CONVEYOR

Type - 36 in (91.44cm) Chain w/ hydraulic orbital motors
Discharge height- 18 5/8in (cm) to 47 in (cm)
Drive - Hydraulic Orbital Motor
Discharge options – Left, Right or Both

### OPTIONS:

Discharge magnets on conveyor
Left, right or dual discharge conveyors
Rear Discharge door
2 Speed gear boxes

## SPECIFICATIONS

### WEIGHT

Total	15,000 lbs (6,803.9kg)w/ both conveyors
Tongue Weight	1,800 lbs (816.5kg)

### TRANSPORT DIMENSIONS

(Fully raised conveyor)

Width	119 3/8", 9' 11" (3.03m)
Length	251 7/8", 20' 11 7/8", (6.40m)
Height	110 3/16", 9' 2 3/16", (2.80m)

### WORKING DIMENSIONS

Width	103 13/16", 8' 7 3/16" (2.64m)
Loading Height	110 3/16", 9' 2 3/16" (2.80m) w/rubber extension

### CHASSIS

Towing Arrangement	Clevis type hitch.
Tires	4) 12.5L-15 FI 12 ply
Wheels	4) - 8 hole
Axle	Rigid
Bearings	Tapered Roller
Jack Capacity	7,000 lbs (3175.2kg) 10 in travel
Extensions	12 in rubber

### REQUIREMENTS FOR OPERATION - TRACTOR

PTO Horsepower Required - 110 minimum, 140-150 Recommended	
PTO requirement	1000 rpm, 1 3/8 in dia w/21 spline
Min. Tractor Hydraulic Output - 8 gpm at 1500 psi (46 lpm x 10,345 kpa)	
Electrical	12 VDC (Battery included)

FEATURES & SPECIFICATIONS

PO Box 1940  
 Jamestown, ND 58402-1940  
 Phone: (701) 252-4601  
 Fax: (701) 252-0502  
 Website: [www.haybuster.com](http://www.haybuster.com)

*DuraTech Industries International, Inc. reserves the right to change its products or their specifications at anytime without notice or obligation. Illustrations, specifications, and descriptions contained herein were accurate at the time of publication, but are subject to change without notice. Illustrations may include optional equipment or accessories and may not include all standard equipment.*

